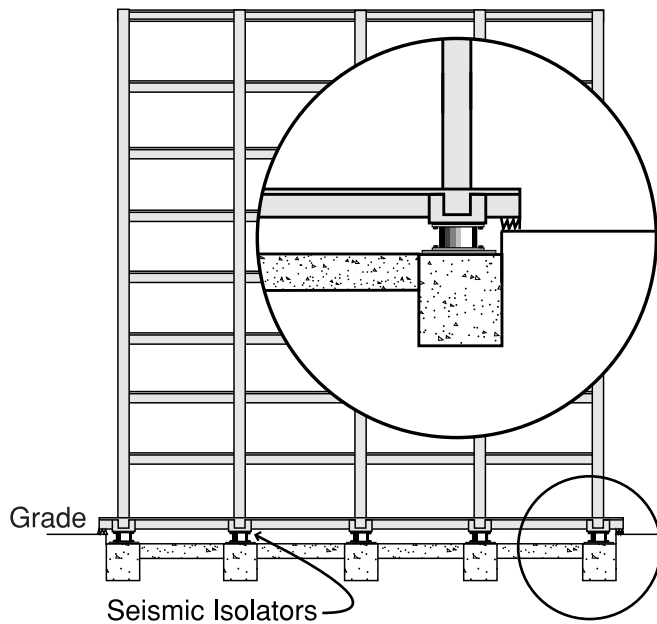
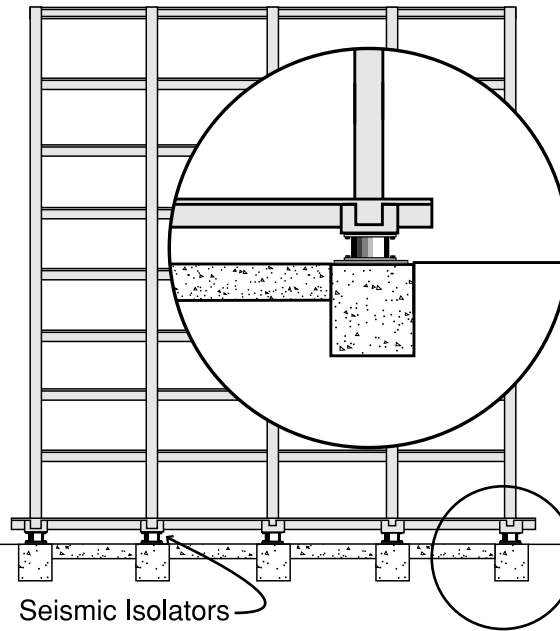


Seismic Isolator Placement Alternates 4, 5, 6

Seismic Isolators
Located at Bottom of First Story Columns



Seismic Isolators
Located Above Grade



Seismic Isolators
Located Mid-Column Above Grade

